

SCOTT® Personal Toilet Seat Cover

Superior Hygiene and Safety

SCOTT® PERSONAL TOILET SEAT COVER SEAT COVER

is designed to provide superior hygiene and personal safety in the washroom

- Flushable seat covers offer sanitary protection
- Eliminates wasteful use of toilet tissue as substitute covers
- Lockable modern dispenser
- Dispenses one cover at a time
- Provides the user with extra protection from direct contact with toilet surface








SCOTT® Personal Toilet Seat Cover

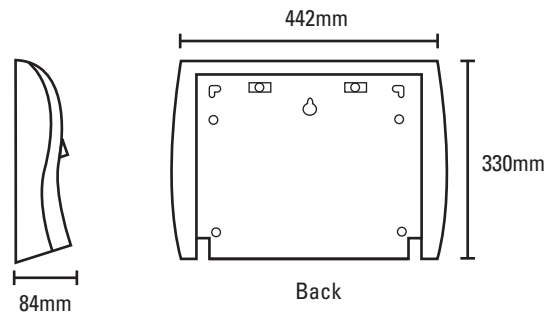
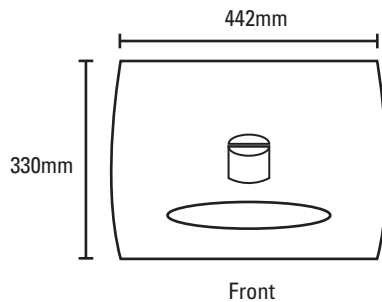
Every time a toilet is flushed, droplets of water spray up from the bowl and land on the toilet seat. These droplets often contain infection-spreading bacteria. Often the user is required to clean the toilet seat before use. By using the personal seat covers provided by Kimberly-Clark Professional, user will now have the peace of mind and avoid having any direct contact with toilet surface.

SCOTT® Personal Toilet Seat Cover Refill

Description	Code No.	Colour	Case Contents
SCOTT® Personal Toilet Seat Cover	07410	White	24  x 125 

Dispensers

Description	Code No.	Colour	Case Contents	Dimensions WxHxD (cm)
WINDOWS® Personal Seat Cover Series-i Dispenser	09505	Pearl White	1 x 	44.2cm x 33.0cm x 8.4cm



For more information on Kimberly-Clark products and systems, please contact your local sales office at:

Kimberly-Clark Singapore Pte Ltd
 3 Anson Road, #16-01 Springleaf Tower,
 Singapore 079909
 Toll free: 1800 562 5275 Tel: +(65) 6226 2882 Fax: +(65) 6327 3857

Kimberly-Clark Trading (M) Sdn Bhd
 2nd Floor, Tower 2, Kelana Brem Tower, Jln SS7/15
 (Jalan Stadium), Kelana Jaya 47301, Petaling Jaya,
 Selangor Darul Ehsan, Malaysia.
 Toll Free: 1800 889 466 Tel: +(603) 7806 8288 Fax: +(603) 7492 2576

Website: www.kcprofessional.com Email: kcp.mktsg@kcc.com

®/* Trademarks of Kimberly-Clark Worldwide, Inc. ©2010 KCWW.
 All rights Reserved.

