



At last, a high capacity dispenser that delivers high performance hand towels where you need them, not just where they'll fit.



You can fit a high capacity SCOTT® SLIMROLL\* Towel dispenser wherever you can mount this card. Actual dispenser size 30.5cm wide x 31.8cm high x 17.8cm deep.

To see how SCOTT® SLIMROLL\* hand dispenser will look in your facility, simply cut out this card

# Introducing new SCOTT® SLIMROLL\* Towel

## The high capacity hand drying system that puts high performance towels where you need them, not just where they'll fit.

### Benefits

#### Superior Cost in use

- ▶ Controlled 25cm sheet length reduces usage and waste
- ▶ Automatic transfer stub roll feature helps ensure 100% use of towel to prevent run outs and reduce waste
- ▶ Dispenser offers the choice of push button lock for accessibility or key lockable to deter pilferage and misuse

#### Easier Maintenance

- ▶ High capacity dispenser can hold over 700 towels for less servicing
- ▶ Stub roll feature means the dispenser can be topped up for lower maintenance and reduced risk of runouts

#### Improved Hygiene and Image

- ▶ Compact dispensers can be placed where they're needed to encourage hand washing
- ▶ Only touch the towel being used for maximum hygiene
- ▶ Dispenser keeps towel clean and hygienic prior to use

#### User Satisfaction and Image

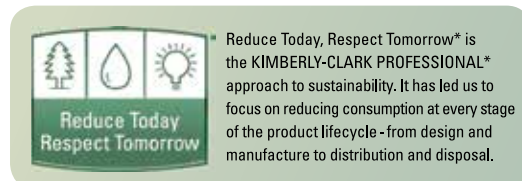
- ▶ High capacity dispenser is up to 50% smaller than other roll towel dispensers
- ▶ AIRFLEX\* Fabric provides superior strength and absorbency for superior hand drying performance
- ▶ Stylish compact dispenser enhances your facilities appearance

Conventional hand towels have tightly compressed fibres which cause water to sit on top of the towel, slowing absorbency. SCOTT® towels with AIRFLEX\* Fabric contain absorbency cells that soak up water fast, for superior hand drying performance.



#### Improved Sustainability

- **Product Design** – AIRFLEX\* Fabric reduces the amount of fibre required to deliver the same hand drying performance
- **Raw Materials** - SCOTT® SLIMROLL\* Towel is FSC mixed source certified with more than 50% recycled fibre
- **Transport** – each compact case contains 4176 towels, meaning more hand dries from every delivery and less trucks on our roads
- **Use** – User preferred AIRFLEX\* Fabric delivers the same performance with less grams of fibre per hand dry
- **Final Disposal** – no inner labels means less packaging waste versus folded towels



Reduce Today, Respect Tomorrow\* is the KIMBERLY-CLARK PROFESSIONAL\* approach to sustainability. It has led us to focus on reducing consumption at every stage of the product lifecycle - from design and manufacture to distribution and disposal.



# Take control of your space

Compact size, big impact



Nearly 50% smaller than standard SANITOUCH\* dispensers. Its small footprint and reduced depth allow mounting in tight places

Compact dispenser can be placed where it's needed to encourage hand washing

Higher capacity than folded towel dispensers for less waste and maintenance

Automatic transfer stub roll feature means dispenser can be topped up for less maintenance and reduced risk of runouts

Includes dependable SANITOUCH\* dispenser module. Touch only the towel to use

25cm pre-cut sheet delivers 696 towels per roll

SCOTT® Hard Roll Towels are FSC Certified and contain more than 50% recycled fibre

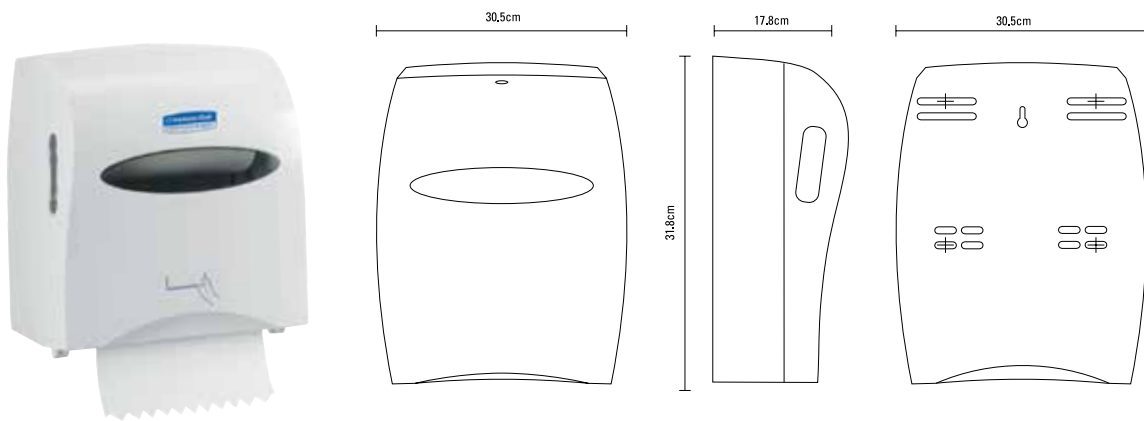




SCOTT® SLIMROLL* Hand Towel					
Description	Code No.	Colour	Sheet size	Case Count	Dispenser
SCOTT® SLIMROLL* Hand Towel	12388	White	176m x 20cm	6 rolls 	10442

DISPENSER				
Description	Code No.	Colour	Dimensions (W x H x D)	Case Count
KIMBERLY-CLARK PROFESSIONAL* SLIMROLL* Hand Towel Dispenser	10442	White	30.5cm x 31.8cm x 17.8cm	1 x 



For more information on KIMBERLY-CLARK Professional\* products, visit us on-line at [www.kcprofessional.com](http://www.kcprofessional.com), contact your Kimberly-Clark Sales Representative, or call us at our customer service hotline:

**Kimberly-Clark Trading (M) Sdn Bhd**  
 9th & 10th Floor, Tower 2, Kelana Brem Tower, Jln SS7/15 (Jln Stadium), Kelana Jaya,  
 47301 Petaling Jaya, Selangor Darul Ehsan, Malaysia.  
 Toll Free : 1800 889 466 Tel : (03) 7806 8288 Fax : (03) 7492 2576

**Kimberly-Clark Singapore Pte Ltd**  
 3 Anson Road, # 16-01, Springleaf Tower, Singapore 079909  
 Toll Free : 1800 562 5275 Tel : (65) 6226 2882 Fax : (65) 6327 3857

Email [kcp.mktsg@kccc.com](mailto:kcp.mktsg@kccc.com) Website [www.kcprofessional.com](http://www.kcprofessional.com) or [www.kc-safety.com](http://www.kc-safety.com)

®/\* Trademarks of Kimberly-Clark Worldwide, Inc. ©2010 KCWW. All Rights Reserved.

